


FPT ePowertrain solutions

Innovation and sustainability have always been fundamental characteristics of FPT Industrial. In order to remain at the forefront of technological advancements and effectively respond to market needs, the Brand created ePowertrain department in 2018. With main hubs based in the R&D centers in Arbon, Switzerland, Coventry, UK and Turin, Italy, the ePowertrain department is focused on developing the powertrains of tomorrow, today. Being a global leader means setting new targets that grow more challenging every day. To reach them, we have drawn on our expertise along with the best innovative start-ups worldwide, through partnerships, acquisitions and joint ventures. Now, we can proudly display the results, showcasing our full range of eDriveline and Battery Storage and Management solutions.

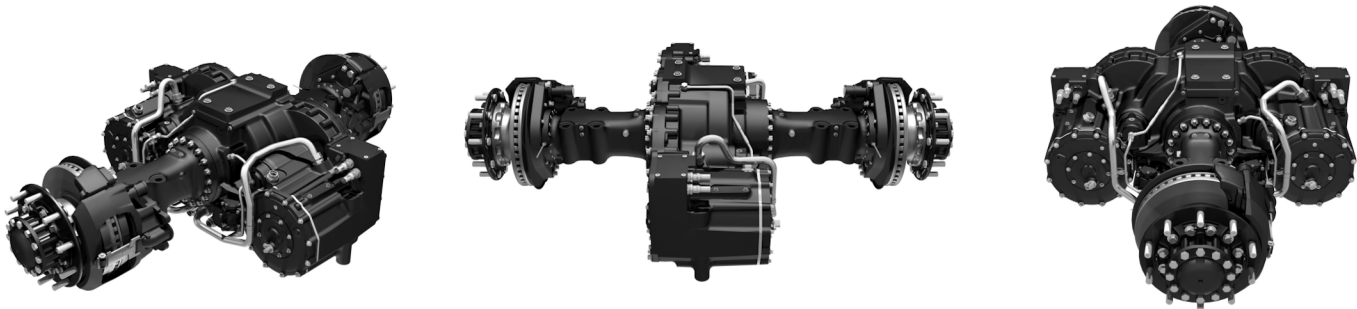
Electric Driveline

FPT Industrial is responding to the crucial challenges of transport sustainability, energy transition and CO₂ emission reduction with a complete range of innovative products. Designed to fully integrate all ePowertrain elements into a compact solution, capable of accommodating both the commercial load and the battery packs, the new eAxles and Central Drive offer outstanding performance and reliability, according to the mission application.

Specifications (Nikola Tre BEV version)

Model:	eAX 840-R
Application:	 Heavy
Type:	Rear Axle
n. eMotors:	2
Peak Power (kW):	840
Peak Torque (Nm):	1.800
Peak Wheel Torque (Nm):	45.000
DC Voltage (V):	800 max
GAW (ton):	13
GCVW (ton):	44
System efficiency:	>92%
Brake system:	DISC
Breaking Torque (Nm):	30.000
Weight (kg):	1.390
Dimensions (mm):	2.028 x 1.244 x 641
Power Density (kW/kg):	0,60
Gear - n. speed:	1
Gear ratio:	from 15 to 25
Durability Be10 (km):	up to 1.200k

eDRIVELINE - ELECTRIC AXLES



IMAGES SHOWN ARE FOR ILLUSTRATION PURPOSE ONLY

FOR INFORMATION ON THE AVAILABLE RATINGS NOT LISTED IN THIS DOCUMENT
PLEASE CONTACT THE FPT INDUSTRIAL SALES NETWORK OR VISIT OUR SITE WWW.FPTINDUSTRIAL.COM

SPECIFICATION SUBJECT TO CHANGE WITHOUT NOTICE


FPT ePowertrain solutions

Innovation and sustainability have always been fundamental characteristics of FPT Industrial. In order to remain at the forefront of technological advancements and effectively respond to market needs, the Brand created ePowertrain department in 2018. With main hubs based in the R&D centers in Arbon, Switzerland, Coventry, UK and Turin, Italy, the ePowertrain department is focused on developing the powertrains of tomorrow, today. Being a global leader means setting new targets that grow more challenging every day. To reach them, we have drawn on our expertise along with the best innovative start-ups worldwide, through partnerships, acquisitions and joint ventures. Now, we can proudly display the results, showcasing our full range of eDriveline and Battery Storage and Management solutions.

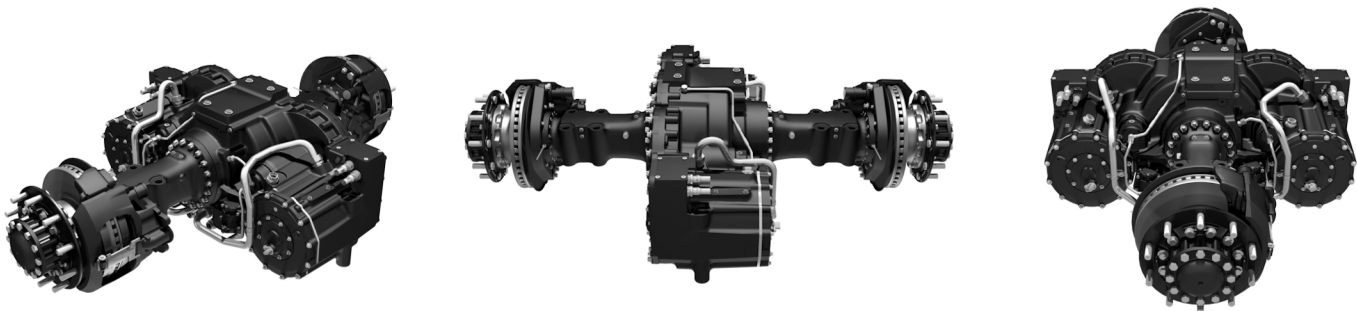
Electric Driveline

FPT Industrial is responding to the crucial challenges of transport sustainability, energy transition and CO₂ emission reduction with a complete range of innovative products. Designed to fully integrate all ePowertrain elements into a compact solution, capable of accommodating both the commercial load and the battery packs, the new eAxles and Central Drive offer outstanding performance and reliability, according to the mission application.

Specifications (Nikola Tre BEV version)

Model:	eAX 840-R
Application:	 Heavy
Type:	Rear Axle
n. eMotors:	2
Peak Power (kW):	840
Peak Torque (lb-ft):	1,328
Peak Wheel Torque (lb-ft):	33,200
DC Voltage (V):	800 max
GAW (lb):	26,000
GCVW (lb):	97,000
System efficiency:	>92%
Brake system:	DISC
Breaking Torque (lb-ft):	22,130
Weight (lb):	3,064
Dimensions (inch):	79.84 x 48.9 x 25.23
Power Density (kW/lb):	0.27
Gear - n. speed:	1
Gear ratio:	from 15 to 25
Durability Be10 (mi):	up to 745,650

eDRIVELINE - ELECTRIC AXLES



IMAGES SHOWN ARE FOR ILLUSTRATION PURPOSE ONLY

FOR INFORMATION ON THE AVAILABLE RATINGS NOT LISTED IN THIS DOCUMENT PLEASE CONTACT THE FPT INDUSTRIAL SALES NETWORK OR VISIT OUR SITE WWW.FPTINDUSTRIAL.COM

SPECIFICATION SUBJECT TO CHANGE WITHOUT NOTICE